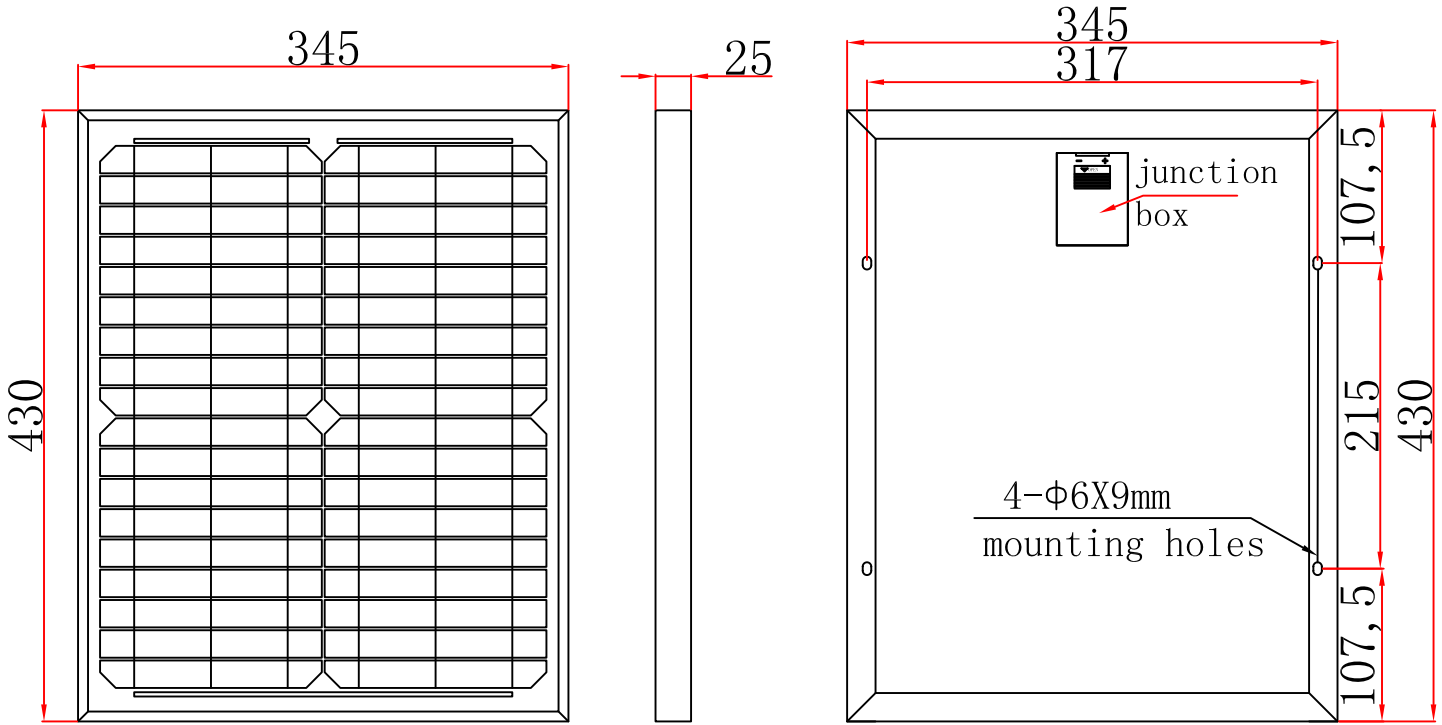


Module Diagram



Electrical Characteristics

Product code	SGM-20W
Maximum power(Pmax)	20W
Voltage at Pmax(Vmp)	17.8
Current at Pmax(Imp)	1.12
Open-circuit voltage(Voc)	21.3
Short -circuit current(Isc)	1.21
Cells Efficiency(%)	18.43%
The maximum system voltage	600VDC(IEC)
Output power tolerance	±5%

Specifications

Cells	monocrystalline solar cell
No.of cells and connections	36(2X18)
Module dimension	345*430*25m
Weight	1.69 KG
Certification	CE,ROHS